

KIRBY VINEYARD SPREADER



**ORGANIC
VINE CARE
HAS NEVER
BEEN EASIER**

Kirby INC.
MANUFACTURING

CONTACT KIRBY AT
KIRBYMFG.COM OR BY
PHONE AT (209) 723-0778



FEATURES AND OPTIONS



CARING FOR YOUR VINES HAS NEVER BEEN EASIER THAN WITH THE KIRBY VINEYARD SPREADER.

Designed at the request of vineyard farmers on California's Central Coast, the Vineyard Spreader is your solution to reducing spray costs, weed control, moisture retention, and protecting your vines. Spread straw, mulch or compost along the borders of your rows with ease, using the spreader's dual discharge design.

If reducing your environmental impact matters, count on Kirby to help you get the job done!

UNIT SPECS

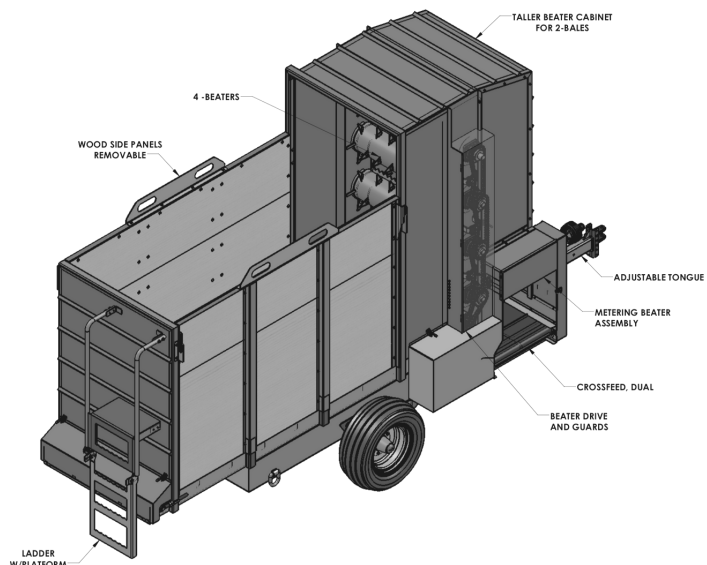
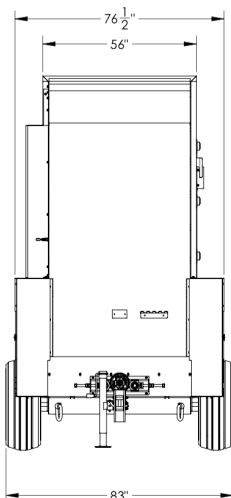
Model	VS 2
Capacity (cu/ft)	11.8 CU/FT
Width	83"
Overall Height	136"
Overall Length	256"
Discharge Opening	26"
Weight (lbs.)	
HP Requirement	85+HP

STANDARD FEATURES (TRAILER)

- 2 Big Bale Capacity
- Bale Tie
- Dual Sided Discharge
- Cleated Belt
- Slatted Floor Chains
- Single Axle with Implement Tires
- View Ladder
- Side Door that Opens for Loading

TRACTOR REQUIREMENTS

- 540 PTO
- Single Hydraulic Remote 12 GPM



**CONTACT KIRBY AT
KIRBYMFG.COM OR BY
PHONE AT (209) 723-0778**

