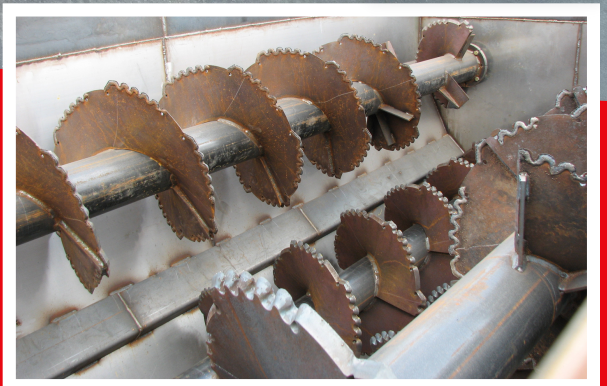


KIRBY STATIONARY MIXERS

LOWER YOUR OPERATING COSTS!



BUILT TO FIT YOUR OPERATION



Kirby INC.
MANUFACTURING

CONTACT KIRBY AT
KIRBYMFG.COM OR BY
PHONE AT (209) 723-0778

484 S HIGHWAY 59 MERCED, CA 95340

MIXER FEATURES AND OPTIONS



STANDARD VERTICAL FEATURES

- Variable Frequency Drive System
- 3/4" Thick HD Auger Flighting
- 5 to 9 Blades per Auger
- Hydraulically Operated Discharge Doors
- 1" Thick Floor
- Two Vertical Augers
- Two Rotational Hay Stops
- Steel Frame
- Main Power Cabinet w/ Electronic Controls
- Engineering and Installation Support

OPTIONAL FEATURES

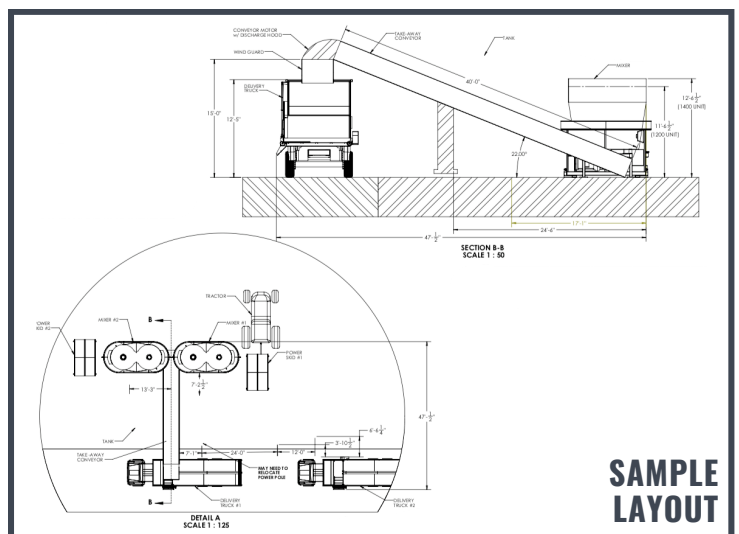
- Hydraulic Drive System
- Electronic Scale System
- Stainless Steel Lined Walls, Floor and Flighting
- Door Options to Accommodate Any Mixing Need
- Turn Key Installation
- Discharge Take-Away Conveyor Systems
- 10" Top Belting Extension
- Wireless Remote Operation

AVAILABLE IN HORIZONTAL OR VERTICAL MIXER
SIZE RANGE FROM 405 - 1600 CU/FT
METERING BOX OPTION FOR SILAGE AND HAY



CONTACT KIRBY AT
KIRBYMFG.COM OR BY
PHONE AT (209) 723-0778

PROUDLY
MADE IN
THE USA



**SAMPLE
LAYOUT**