

# KIRBY AQUA COW

THE ORIGINAL COW RISE SYSTEM



THE NATURAL  
WAY TO GET  
A COW BACK  
ON ITS FEET



CONTACT KIRBY AT  
KIRBYMFG.COM OR BY  
PHONE AT (209) 723-0778

# THE KIRBY AQUA COW

Since 1946, Kirby has been obsessed with great products and great service. Our Aqua Cow Rise System continues that tradition with excellence. With it, you can float a down cow back on its legs without any clamps, belts or chains. Our harmless system is the natural way to get a cow back up on its legs using only warm water!

## HOW DOES IT WORK?

1. Position the Aqua Cow next to the down cow.
2. Release the door and roll the cow onto the rubber mat.
3. With the help of a tractor or truck, easily pull the mat with the cow into the container.
4. Seal the container and transport to a warm water source.
5. Fill the container while also using a rope to help keep the cows head up as the water fills.
6. Keep filling to the cows hip to ensure warm muscles and increased blood circulation.
7. Keep the cow in for 6-7 hours, then begin to slowly drain the tank as she adjusts to her weight again.

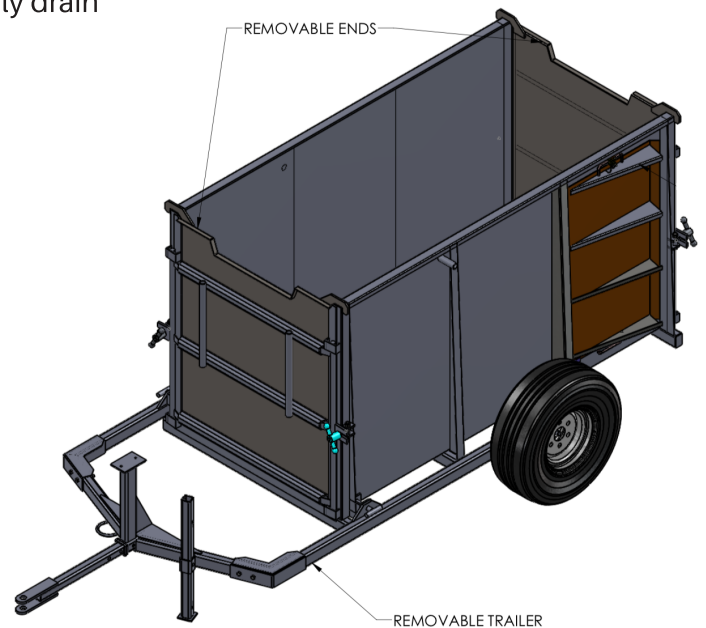


**EASY TO OPERATE END SEALS**

## MODEL SPECIFICATIONS

UNLESS SPECIFIED, ALL MEASUREMENTS IN INCHES

Capacity	<b>950 GAL</b>
Overall Height	<b>64</b>
Overall Length	<b>163</b>
Overall Width	<b>81</b>
Door Opening	<b>47</b>



CONTACT KIRBY AT  
KIRBYMFG.COM OR BY  
PHONE AT (209) 723-0778

